



| Pos.                          | Artikel<br>Article<br>Article | Zusatz<br>Completion<br>Complément | Voltage             |           |           |           |           |           |           |           |           |           | Art.-/SAP-Nr.<br>Art.-/SAP-No.<br>Art.-/SAP-No. |           |   |         |
|-------------------------------|-------------------------------|------------------------------------|---------------------|-----------|-----------|-----------|-----------|-----------|-----------|-----------|-----------|-----------|---|-----------|---|---------|
|                               |                               |                                    | 230V / 1~           | 200V / 3~ | 230V / 3~ | 380V / 3~ | 400V / 3~ | 415V / 3~ | 440V / 3~ | 460V / 3~ | 480V / 3~ | 500V / 3~ |   | 600V / 3~ |   |         |
| 105                           | Deckelspanning                | 5...10 kg/h Ø200                   | 1                   |           | 1         | 1         | 1         | 1         | 1         | 1         | 1         | 1         | 1   | 1         | 1 | 1103812 |
|                               | Cover clamping                | 16...40 kg/h Ø280                  |                     | 1         | 1         | 1         | 1         | 1         | 1         | 1         | 1         | 1         | 1   | 1         | 1 | 1103814 |
|                               | Fermeture du couvercle        |                                    |                     |           |           |           |           |           |           |           |           |           |   |           |   |         |
| 106                           | Durodichtung                  | 5...10 kg/h Ø200                   | 1                   |           | 1         | 1         | 1         | 1         | 1         | 1         | 1         | 1         | 1   | 1         | 1 | 1101516 |
|                               | Gasket Duro                   | 16...40 kg/h Ø280                  |                     | 1         | 1         | 1         | 1         | 1         | 1         | 1         | 1         | 1         | 1   | 1         | 1 | 1100966 |
|                               | Joint Duro                    |                                    |                     |           |           |           |           |           |           |           |           |           |   |           |   |         |
| 107                           | Spannverschluss               | 5...10 kg/h Ø200                   | 1                   |           | 1         | 1         | 1         | 1         | 1         | 1         | 1         | 1         | 1   | 1         | 1 | 1104574 |
|                               | Clamping ring                 | 16...40 kg/h Ø280                  |                     | 1         | 1         | 1         | 1         | 1         | 1         | 1         | 1         | 1         | 1   | 1         | 1 | 1104578 |
|                               | Collier de fermeture          |                                    |                     |           |           |           |           |           |           |           |           |           |   |           |   |         |
| 108                           | Ausblasstutzen kpl.           | 5...40 kg/h                        | 1                   | 1         | 1         | 1         | 1         | 1         | 1         | 1         | 1         | 1         | 1   | 1         | 1 | 2579820 |
|                               | Steam outlet hose cpl.        |                                    |                     |           |           |           |           |           |           |           |           |           |   |           |   |         |
|                               | Manchon de vaporisation cpl.  |                                    |                     |           |           |           |           |           |           |           |           |           |   |           |   |         |
| 109                           | Heizstab                      | 5 kg/h - 1250W Ø6.4                | 1                   |           | 1         | 1         | 1         | 1         |           |           |           |           |   |           |   | 2579821 |
|                               | Heating element               | 8 kg/h - 2000W Ø6.4                | 1                   |           | 1         | 1         | 1         | 1         |           |           |           |           |   |           |   | 2579822 |
|                               | Element de chauffage          | 10 kg/h - 2500W Ø6.4               | 1                   |           | 1         | 1         | 1         | 1         |           |           |           |           |   |           |   | 2579823 |
|                               |                               | 10 kg/h - 2600W Ø8.5               |                     |           |           |           |           |           | 1         | 1         | 1         | 1         |   |           |   | 2579824 |
|                               |                               | 10 kg/h - 2630W Ø8.5               |                     |           |           |           |           |           |           |           |           |           |   | 1         |   | 2579825 |
|                               |                               | 16 kg/h - 2000W Ø6.4               |                     |           | 1         | 1         | 1         | 1         |           |           |           |           |   |           |   | 2579826 |
|                               |                               | 16 kg/h - 2500W Ø6.4               |                     | 1         |           |           |           |           |           |           |           |           |   |           |   | 2583728 |
|                               |                               | 16 kg/h - 3630W Ø8.5               |                     |           |           |           |           |           | 1         | 1         | 1         | 1         | 1   |           |   | 2579827 |
|                               |                               | 20 kg/h - 2000W Ø6.4               |                     | 1         |           |           |           |           |           |           |           |           |   |           |   | 2583729 |
|                               |                               | 20 kg/h - 2500W Ø6.4               |                     |           | 1         | 1         | 1         | 1         |           |           |           |           |   |           |   | 2579828 |
|                               |                               | 20 kg/h - 2720W Ø8.5               |                     |           |           |           |           |           | 1         | 1         | 1         | 1         | 1   |           |   | 2579829 |
|                               |                               | 24 kg/h - 2500W Ø6.4               |                     | 1         |           |           |           |           |           |           |           |           |   |           |   | 2583730 |
|                               |                               | 24 kg/h - 2000W Ø6.4               |                     |           | 1         | 1         | 1         | 1         |           |           |           |           |   |           |   | 2579830 |
|                               |                               | 30 kg/h - 2500W Ø6.4               |                     |           | 1         | 1         | 1         | 1         |           |           |           |           |   |           |   | 2579831 |
|                               |                               | 30 kg/h - 3300W Ø6.4               |                     | 1         |           |           |           |           |           |           |           |           |   |           |   | 2583731 |
|                               |                               | 30 kg/h - 3650W Ø8.5               |                     |           |           |           |           |           | 1         | 1         | 1         | 1         |   |           |   | 2579832 |
|                               |                               | 30 kg/h - 2720W Ø8.5               |                     |           |           |           |           |           |           |           |           |           |   | 1         |   | 2579833 |
|                               |                               | 40 kg/h - 3300W Ø6.4               |                     |           |           | 1         | 1         | 1         |           |           |           |           |   |           |   | 2579834 |
|                               |                               | 40 kg/h - 3650W Ø8.5               |                     |           |           |           |           |           | 1         | 1         | 1         | 1         |   |           |   | 2579835 |
|                               |                               | 40 kg/h - 3630W Ø8.5               |                     |           |           |           |           |           |           |           |           |           |   | 1         |   | 2579836 |
|                               | 109                           | Heizstab (3 Stk.)                  | 5 kg/h - 1250W Ø6.4 | 1         |           | 1         | 1         | 1         | 1         |           |           |           |   |           |   |         |
| Heating element (3 Stk.)      |                               | 8 kg/h - 2000W Ø6.4                | 1                   |           | 1         | 1         | 1         | 1         |           |           |           |           |   |           |   | 2579838 |
| Element de chauffage (3 Stk.) |                               | 10 kg/h - 2500W Ø6.4               | 1                   |           | 1         | 1         | 1         | 1         |           |           |           |           |   |           |   | 2579839 |
|                               |                               | 10 kg/h - 2600W Ø8.5               |                     |           |           |           |           |           | 1         | 1         | 1         | 1         |   |           |   | 2579840 |
|                               |                               | 10 kg/h - 2630W Ø8.5               |                     |           |           |           |           |           |           |           |           |           |   | 1         |   | 2579841 |
|                               |                               | 16 kg/h - 2000W Ø6.4               |                     |           | 1         | 1         | 1         | 1         |           |           |           |           |   |           |   | 2579842 |
|                               |                               | 16 kg/h - 2500W Ø6.4               |                     | 1         |           |           |           |           |           |           |           |           |   |           |   | 2583732 |
|                               |                               | 16 kg/h - 3630W Ø8.5               |                     |           |           |           |           |           | 1         | 1         | 1         | 1         | 1   |           |   | 2579843 |
|                               |                               | 20 kg/h - 2000W Ø6.4               |                     | 1         |           |           |           |           |           |           |           |           |   |           |   | 2583733 |
|                               |                               | 20 kg/h - 2500W Ø6.4               |                     |           | 1         | 1         | 1         | 1         |           |           |           |           |   |           |   | 2579844 |
|                               |                               | 20 kg/h - 2720W Ø8.5               |                     |           |           |           |           |           | 1         | 1         | 1         | 1         | 1   |           |   | 2579845 |
|                               |                               | 24 kg/h - 2500W Ø6.4               |                     | 1         |           |           |           |           |           |           |           |           |   |           |   | 2583734 |
|                               |                               | 24 kg/h - 2000W Ø6.4               |                     |           | 1         | 1         | 1         | 1         |           |           |           |           |   |           |   | 2579846 |
|                               |                               | 30 kg/h - 2500W Ø6.4               |                     |           | 1         | 1         | 1         | 1         |           |           |           |           |   |           |   | 2579847 |
|                               |                               | 30 kg/h - 3300W Ø6.4               |                     | 1         |           |           |           |           |           |           |           |           |   |           |   | 2583735 |
|                               |                               | 30 kg/h - 3650W Ø8.5               |                     |           |           |           |           |           | 1         | 1         | 1         | 1         |   |           |   | 2579848 |
|                               |                               | 30 kg/h - 2720W Ø8.5               |                     |           |           |           |           |           |           |           |           |           |   | 1         |   | 2579849 |
|                               |                               | 40 kg/h - 3300W Ø6.4               |                     |           |           | 1         | 1         | 1         |           |           |           |           |   |           |   | 2579850 |
|                               |                               | 40 kg/h - 3650W Ø8.5               |                     |           |           |           |           |           | 1         | 1         | 1         | 1         |   |           |   | 2579851 |
|                               |                               | 40 kg/h - 3630W Ø8.5               |                     |           |           |           |           |           |           |           |           |           |   | 1         |   | 2579852 |

| Pos. | Artikel<br>Article   | Zusatz<br>Completion<br>Complément | Voltage   |           |           |           |           |           |           |           |           |           | Art.-/SAP-Nr.<br>Art.-/SAP-No. |           |  |         |
|------|--|------------------------------------|-----------|-----------|-----------|-----------|-----------|-----------|-----------|-----------|-----------|-----------|--------------------------------|-----------|--|---------|
|      |  |                                    | 230V / 1~ | 200V / 3~ | 230V / 3~ | 380V / 3~ | 400V / 3~ | 415V / 3~ | 440V / 3~ | 460V / 3~ | 480V / 3~ | 500V / 3~ |                                | 600V / 3~ |  |         |
| 110  | Dichtung & Gegenflansch (9 Stk.)   | 5...40 kg/h Ø6.4                   | 1         | 1         | 1         | 1         | 1         | 1         |           |           |           |           |                                |           |  | 2579853 |
|      | Gasket & counter flange (9 pcs)  | 10...40 kg/h Ø8.5                  |           |           |           |           |           |           | 1         | 1         | 1         | 1         | 1                              | 1         |  | 2579854 |
| 111  | Übertemperaturschalter kpl.  | 5...40 kg/h                        | 1         | 1         | 1         | 1         | 1         | 1         | 1         | 1         | 1         | 1         | 1                              | 1         |  | 1103822 |
|      | Thermostat cpl.<br>Thermostat cpl.   |                                    |           |           |           |           |           |           |           |           |           |           |                                |           |  |         |
| 112  | Kabel zu Übertemperaturschalter kpl.   | 5...40 kg/h                        | 1         | 1         | 1         | 1         | 1         | 1         | 1         | 1         | 1         | 1         | 1                              | 1         |  | 2579932 |
|      | Thermostat cable cpl.<br>Câble pour thermostat cpl.  |                                    |           |           |           |           |           |           |           |           |           |           |                                |           |  |         |
| 113  | Dampfzylinderisolation   | 5...10 kg/h Ø200                   | 1         |           | 1         | 1         | 1         | 1         | 1         | 1         | 1         | 1         | 1                              | 1         |  | 2580999 |
|      | Steam cylinder insulation<br>Isolation de cylindre de vapeur   | 16...40 kg/h Ø280                  |           | 1         | 1         | 1         | 1         | 1         | 1         | 1         | 1         | 1         | 1                              | 1         |  | 2581000 |
| 114a | Zylindereinsatz mit Gitter   | 5...10 kg/h Ø200                   | 1         |           | 1         | 1         | 1         | 1         | 1         | 1         | 1         | 1         | 1                              | 1         |  | 2579855 |
|      | Cylinder insert with grid<br>Insert du cuve avec grille  | 16...40 kg/h Ø280                  |           | 1         | 1         | 1         | 1         | 1         | 1         | 1         | 1         | 1         | 1                              | 1         |  | 1115490 |
| 114b | Zylindereinsatz mit Folie  | 5...10 kg/h Ø200                   | 1         |           | 1         | 1         | 1         | 1         | 1         | 1         | 1         | 1         | 1                              | 1         |  | 2579856 |
|      | Cylinder insert with foil<br>Insert du cuve avec film  | 16...40 kg/h Ø280                  |           | 1         | 1         | 1         | 1         | 1         | 1         | 1         | 1         | 1         | 1                              | 1         |  | 2557692 |
| 115a | Einsatzgitter (für brüchigen, spröden Kalk)  | 5...10 kg/h Ø200                   | 1         |           | 1         | 1         | 1         | 1         | 1         | 1         | 1         | 1         | 1                              | 1         |  | 2579857 |
|      | Screen insert (for fragile, brittle lime)<br>Insert grille (pour calcaire cassant)                           | 16...40 kg/h Ø280                  |           | 1         | 1         | 1         | 1         | 1         | 1         | 1         | 1         | 1         | 1                              | 1         |  | 1115492 |
| 115b | Kalkauffangfolie (für glasartigen, harten Kalk)  | 5...10 kg/h Ø200                   | 1         |           | 1         | 1         | 1         | 1         | 1         | 1         | 1         | 1         | 1                              | 1         |  | 2579858 |
|      | Scale collector foil (for glassy and hard lime)<br>Sac collecteur de calcaire (pour calcaire vitreux et dur) | 16...40 kg/h Ø280                  |           | 1         | 1         | 1         | 1         | 1         | 1         | 1         | 1         | 1         | 1                              | 1         |  | 1119796 |
| 116  | Trichterschikane   | 5...40 kg/h                        | 1         | 1         | 1         | 1         | 1         | 1         | 1         | 1         | 1         | 1         | 1                              | 1         |  | 1116884 |
|      | Funnel baffle ring<br>Chicane de l'entonnoir   |                                    |           |           |           |           |           |           |           |           |           |           |                                |           |  |         |
| 117  | Kupplungsmuffe kpl.  | 5...40 kg/h / Standard             | 1         | 1         | 1         | 1         | 1         | 1         | 1         | 1         | 1         | 1         | 1                              | 1         |  | 2579859 |
|      | Coupling sleeve cpl.   | 5...10 kg/h / VE 200               | 1         |           | 1         | 1         | 1         | 1         | 1         | 1         | 1         | 1         | 1                              | 1         |  | 2579860 |
|      | Manchon d'accouplement cpl.  | 16...40 kg/h / VE 280              |           | 1         | 1         | 1         | 1         | 1         | 1         | 1         | 1         | 1         | 1                              | 1         |  | 2579861 |
| 118  | Schnapping gross (inkl. Dichtung)  | 5...40 kg/h                        | 1         | 1         | 1         | 1         | 1         | 1         | 1         | 1         | 1         | 1         | 1                              | 1         |  | 1115497 |
|      | Snap ring large (incl. gasket)<br>Anneau d'arrêt grand (incl. joint)   |                                    |           |           |           |           |           |           |           |           |           |           |                                |           |  |         |
| 119  | Dichtungsset Kupplungsmuffe  | 5...40 kg/h                        | 1         | 1         | 1         | 1         | 1         | 1         | 1         | 1         | 1         | 1         | 1                              | 1         |  | 2581446 |
|      | Gasket set coupling sleeve<br>Set de joints manchon d'acc.   |                                    |           |           |           |           |           |           |           |           |           |           |                                |           |  |         |
| 120  | Haltering (inkl. Dichtung)   | 5...40 kg/h                        | 1         | 1         | 1         | 1         | 1         | 1         | 1         | 1         | 1         | 1         | 1                              | 1         |  | 2599174 |
|      | Connection ring (incl. gasket)<br>Bague de connexion (incl. joint)   |                                    |           |           |           |           |           |           |           |           |           |           |                                |           |  |         |
| 121  | Dichtungsset Kalkauffangbehälter   | 5...40 kg/h                        | 1         | 1         | 1         | 1         | 1         | 1         | 1         | 1         | 1         | 1         | 1                              | 1         |  | 2599191 |
|      | Sealing set lime collector tank<br>Set de joint collecteur de calcaire                                       |                                    |           |           |           |           |           |           |           |           |           |           |                                |           |  |         |

| Pos. | Artikel<br>Article<br>Article   | Zusatz<br>Completion<br>Complément | Voltage   |           |           |           |           |           |           |           |           |           | Art.-/SAP-Nr.<br>Art.-/SAP-No.<br>Art.-/SAP-No. |           |         |
|------|---|------------------------------------|-----------|-----------|-----------|-----------|-----------|-----------|-----------|-----------|-----------|-----------|---|-----------|---------|
|      |   |                                    | 230V / 1~ | 200V / 3~ | 230V / 3~ | 380V / 3~ | 400V / 3~ | 415V / 3~ | 440V / 3~ | 460V / 3~ | 480V / 3~ | 500V / 3~ |   | 600V / 3~ |         |
| 122  | Ablaufsieb<br>Drain strainer<br>Tamis d'écoulement  | 5...40 kg/h                        | 1         | 1         | 1         | 1         | 1         | 1         | 1         | 1         | 1         | 1         | 1   | 1         | 2579868 |
| 123  | Aufkleber Temperaturanzeige<br>Sticker temperature<br>Température de Autocollants             | 5...40 kg/h                        | 1         | 1         | 1         | 1         | 1         | 1         | 1         | 1         | 1         | 1         | 1   | 1         | 2579900 |
| 124  | Kalkauffangbehälter<br>Lime collector tank<br>Collecteur de calcaire                          | 5...40 kg/h                        | 1         | 1         | 1         | 1         | 1         | 1         | 1         | 1         | 1         | 1         | 1   | 1         | 2599166 |
| 125  | Ablasshahn (inkl. Dichtung)<br>Drain valve (incl. gasket)<br>Robinet de vidange (incl. joint) | 5...40 kg/h                        | 1         | 1         | 1         | 1         | 1         | 1         | 1         | 1         | 1         | 1         | 1   | 1         | 1116889 |
| 126  | Kalkauffangbehälter kpl.<br>Lime collector tank cpl.<br>Collecteur de calcaire cpl.           | 5...40 kg/h                        | 1         | 1         | 1         | 1         | 1         | 1         | 1         | 1         | 1         | 1         | 1   | 1         | 2599171 |
| 127  | Entleerungsventil<br>Solenoid rain valve<br>Vanne de vidange                                  | 5...40 kg/h                        | 1         | 1         | 1         | 1         | 1         | 1         | 1         | 1         | 1         | 1         | 1   | 1         | 2579870 |

| Pos. | Artikel<br>Article   | Zusatz<br>Completion<br>Complément | Voltage   |           |           |           |           |           |           |           |           |           | Art.-/SAP-Nr.<br>Art.-/SAP-No. |           |   |         |
|------|--|------------------------------------|-----------|-----------|-----------|-----------|-----------|-----------|-----------|-----------|-----------|-----------|--------------------------------|-----------|---|---------|
|      |  |                                    | 230V / 1~ | 200V / 3~ | 230V / 3~ | 380V / 3~ | 400V / 3~ | 415V / 3~ | 440V / 3~ | 460V / 3~ | 480V / 3~ | 500V / 3~ |                                | 600V / 3~ |   |         |
| 128  | Ablaufschlauch Entleerung<br>Drain hose<br>Tuyau de vidange  | 5...40 kg/h                        | 1         | 1         | 1         | 1         | 1         | 1         | 1         | 1         | 1         | 1         | 1                              | 1         | 1 | 2579871 |
| 201  | Synchronpumpe kpl.<br>Synchronous pump cpl.<br>Pompe synchrone cpl.  | 5...40 kg/h                        | 1         | 1         | 1         | 1         | 1         | 1         | 1         | 1         | 1         | 1         | 1                              | 1         | 1 | 2579872 |
| 202  | Dichtring Pumpengehäuse<br>Gasket for pump housing<br>Joint pour boîtier de pompe  | 5...40 kg/h                        | 1         | 1         | 1         | 1         | 1         | 1         | 1         | 1         | 1         | 1         | 1                              | 1         | 1 | 2550469 |
| 203  | Ablaufbecher kpl.<br>Drain cup cpl.<br>Godet d'écoulement cpl.   | 5...40 kg/h                        | 1         | 1         | 1         | 1         | 1         | 1         | 1         | 1         | 1         | 1         | 1                              | 1         | 1 | 2579873 |
| 204  | Einlassventil kpl.<br>Solenoid inlet valve cpl.<br>Vanne d'alimentation cpl.   | 5...10 kg/h / 1.2 l                | 1         |           | 1         | 1         | 1         | 1         | 1         | 1         | 1         | 1         | 1                              | 1         | 1 | 2579874 |
|      |  | 16...40 kg/h / 2.0 l               |           | 1         | 1         | 1         | 1         | 1         | 1         | 1         | 1         | 1         | 1                              | 1         | 1 | 1       |
| 205  | Doppel-Einlassventil DWC kpl.<br>Double solenoid inlet valve DWC cpl.<br>Double-vanne d'alimentation DWC cpl.                | 5...10 kg/h / 1.2 l/14.0 l         | 1         |           | 1         | 1         | 1         | 1         | 1         | 1         | 1         | 1         | 1                              | 1         | 1 | 2580847 |
|      |  | 16...40 kg/h / 2.0 l /14.0 l       |           | 1         | 1         | 1         | 1         | 1         | 1         | 1         | 1         | 1         | 1                              | 1         | 1 | 1       |
| 206  | Doppel-Einlassventil P kpl.<br>Double solenoid inlet valve P cpl.<br>Double-vanne d'alimentation P cpl.                      | 5...10 kg/h / 2x0.8 l              | 1         |           | 1         | 1         | 1         | 1         | 1         | 1         | 1         | 1         | 1                              | 1         | 1 | 2579876 |
|      |  | 16...40 kg/h / 2x1.2 l             |           | 1         | 1         | 1         | 1         | 1         | 1         | 1         | 1         | 1         | 1                              | 1         | 1 | 1       |
| 207  | Dreifach-Einlassventil P + DWC kpl.<br>Tripple solenoid inlet valve P + DWC cpl.<br>Triple-vanne d'alimentation P + DWC cpl. | 5...10 kg/h / 2x0.8 l/14.0 l       | 1         |           | 1         | 1         | 1         | 1         | 1         | 1         | 1         | 1         | 1                              | 1         | 1 | 2579878 |
|      |  | 16...40 kg/h / 2x1.2 l/14.0 l      |           | 1         | 1         | 1         | 1         | 1         | 1         | 1         | 1         | 1         | 1                              | 1         | 1 | 1       |
| 208  | Sicherheitsniveauprint kpl.<br>Print for safety level control cpl.<br>Circuit imprimé pour contrôle de niveau sécurité cpl.  | 5...40 kg/h                        | 1         | 1         | 1         | 1         | 1         | 1         | 1         | 1         | 1         | 1         | 1                              | 1         | 1 | 2579881 |
| 209  | Niveauprint kpl.<br>Print for level control cpl.<br>Circuit imprimé pour contrôle de niveau cpl.                             | 5...40 kg/h                        | 1         | 1         | 1         | 1         | 1         | 1         | 1         | 1         | 1         | 1         | 1                              | 1         | 1 | 2579880 |
| 210  | Schwimmer kpl.<br>Float cpl.<br>Flotteur cpl.  | 5...40 kg/h                        | 1         | 1         | 1         | 1         | 1         | 1         | 1         | 1         | 1         | 1         | 1                              | 1         | 1 | 2579882 |
| 211  | Wasserbecher kpl.<br>Water cup cpl.<br>Godet d'eau cpl.  | 5...40 kg/h                        | 1         | 1         | 1         | 1         | 1         | 1         | 1         | 1         | 1         | 1         | 1                              | 1         | 1 | 2579884 |
| 212  | Schlauchset<br>Hose set<br>Set de tuyau  | 5...10 kg/h                        | 1         | 1         | 1         | 1         | 1         | 1         | 1         | 1         | 1         | 1         | 1                              | 1         | 1 | 2579885 |
|      |  | 16...40 kg/h                       | 1         | 1         | 1         | 1         | 1         | 1         | 1         | 1         | 1         | 1         | 1                              | 1         | 1 | 2579896 |
| 213  | Schlauchset P<br>Hose set P<br>Set de tuyau P  | 5...10 kg/h                        | 1         | 1         | 1         | 1         | 1         | 1         | 1         | 1         | 1         | 1         | 1                              | 1         | 1 | 2579886 |
|      |  | 16...40 kg/h                       | 1         | 1         | 1         | 1         | 1         | 1         | 1         | 1         | 1         | 1         | 1                              | 1         | 1 | 2579897 |

| Pos. | Artikel<br>Article<br>Article    | Zusatz<br>Completion<br>Complément    | Voltage   |           |           |           |           |           |           |           |           |           | Art.-/SAP-Nr.<br>Art.-/SAP-No.<br>Art.-/SAP-No. |           |         |
|------|----------------------------------|---------------------------------------|-----------|-----------|-----------|-----------|-----------|-----------|-----------|-----------|-----------|-----------|---|-----------|---------|
|      |                                  |                                       | 230V / 1~ | 200V / 3~ | 230V / 3~ | 380V / 3~ | 400V / 3~ | 415V / 3~ | 440V / 3~ | 460V / 3~ | 480V / 3~ | 500V / 3~ |   | 600V / 3~ |         |
| 214  | Pumpen-Schlauchset               | 5...10 kg/h                           | 1         | 1         | 1         | 1         | 1         | 1         | 1         | 1         | 1         | 1         | 1   | 1         | 2579887 |
|      | Hose set for drain pump          | 16...40 kg/h                          | 1         | 1         | 1         | 1         | 1         | 1         | 1         | 1         | 1         | 1         | 1   | 1         | 2579898 |
| 215  | Schlauchset Niveaueinheit        | 5...10 kg/h                           | 1         | 1         | 1         | 1         | 1         | 1         | 1         | 1         | 1         | 1         | 1   | 1         | 2579888 |
|      | Hose set for level control unit  | 16...40 kg/h                          | 1         | 1         | 1         | 1         | 1         | 1         | 1         | 1         | 1         | 1         | 1   | 1         | 2579899 |
| 216  | Schlauchklemmenset               | 5...40 kg/h                           | 1         | 1         | 1         | 1         | 1         | 1         | 1         | 1         | 1         | 1         | 1   | 1         | 2579889 |
|      | Hose clip set                    |                                       |           |           |           |           |           |           |           |           |           |           |   |           |         |
| 217  | Set Ablaufkühlung                | 5...10 kg/h                           | 1         | 1         | 1         | 1         | 1         | 1         | 1         | 1         | 1         | 1         | 1   | 1         | 2579890 |
|      | Set drain cooling                | 16...40 kg/h                          | 1         | 1         | 1         | 1         | 1         | 1         | 1         | 1         | 1         | 1         | 1   | 1         | 2579901 |
| 218  | Set Entleerungsschlauch          | 5...10 kg/h                           | 1         | 1         | 1         | 1         | 1         | 1         | 1         | 1         | 1         | 1         | 1   | 1         | 2579891 |
|      | Set drain hose                   | 16...40 kg/h                          | 1         | 1         | 1         | 1         | 1         | 1         | 1         | 1         | 1         | 1         | 1   | 1         | 2579902 |
| 219  | Schlauchbride                    |                                       | 1         | 1         | 1         | 1         | 1         | 1         | 1         | 1         | 1         | 1         | 1   | 1         | 1100432 |
|      | Hose clamp                       |                                       |           |           |           |           |           |           |           |           |           |           |   |           |         |
| 220  | Formschlauch Ablauf d30-D38      |                                       | 1         | 1         | 1         | 1         | 1         | 1         | 1         | 1         | 1         | 1         | 1   | 1         | 2584278 |
|      | Preformed drain hose d30-D38     |                                       |           |           |           |           |           |           |           |           |           |           |   |           |         |
| 221  | Kabelset Niveaueinheit           | 5...40 kg/h                           | 1         | 1         | 1         | 1         | 1         | 1         | 1         | 1         | 1         | 1         | 1   | 1         | 2579892 |
|      | Cable set for level control unit | 40 kg/h Option P, J24 kg/h & J30 kg/h |           |           |           | 1         | 1         | 1         |           |           |           |           |   |           | 2591395 |
| 222  | Printabdeckung                   | 5...40 kg/h                           | 1         | 1         | 1         | 1         | 1         | 1         | 1         | 1         | 1         | 1         | 1   | 1         | 2581445 |
|      | Print cover                      |                                       |           |           |           |           |           |           |           |           |           |           |   |           |         |
|      | Couverture de platine            |                                       |           |           |           |           |           |           |           |           |           |           |   |           |         |

| Pos.                               | Artikel<br>Article  | Zusatz<br>Completion<br>Complément | Voltage   |           |           |           |           |           |           |           |           |           | Art.-/SAP-Nr.<br>Art.-/SAP-No. |           |         |         |
|------------------------------------|---|------------------------------------|-----------|-----------|-----------|-----------|-----------|-----------|-----------|-----------|-----------|-----------|--------------------------------|-----------|---------|---------|
|                                    |   |                                    | 230V / 1~ | 200V / 3~ | 230V / 3~ | 380V / 3~ | 400V / 3~ | 415V / 3~ | 440V / 3~ | 460V / 3~ | 480V / 3~ | 500V / 3~ |                                | 600V / 3~ |         |         |
| 301                                | Dampfanschluss kpl.<br>Steam hose nipple cpl.<br>Raccordement vapeur cpl.                               | 5...40 kg/h                        | 1         | 1         | 1         | 1         | 1         | 1         | 1         | 1         | 1         | 1         | 1                              | 1         | 1       | 2579893 |
| 302                                | Verschluss kpl. (2 Stk.)<br>Door ock cpl. (2 pcs)<br>Serrure cpl. (2 pcs)                               | 5...40 kg/h                        | 1         | 1         | 1         | 1         | 1         | 1         | 1         | 1         | 1         | 1         | 1                              | 1         | 1       | 2530425 |
| 303                                | Geräteschalter<br>Unit switch<br>Interrupteur d'appareil  | 5...40 kg/h                        | 1         | 1         | 1         | 1         | 1         | 1         | 1         | 1         | 1         | 1         | 1                              | 1         | 1       | 2579895 |
| 305/6                              | Schütz K3-10ND10 AC1 25A  | 5 kg/h                             | 1         | 1         | 1         | 1         | 1         | 1         |           |           |           |           |                                |           |         | 1115507 |
|                                    | Contacteur K3-10ND10 AC1 25A  | 8 kg/h                             |           |           | 1         | 1         | 1         | 1         |           |           |           |           |                                |           |         | 1115507 |
|                                    | Contacteur K3-10ND10 AC1 25A  | 10 kg/h                            |           |           | 1         | 1         | 1         | 1         | 1         | 1         | 1         | 1         |                                |           |         | 1115507 |
|                                    | Schütz K3-22ND10 AC1 32A  | 16 kg/h                            |           |           |           | 2         | 2         | 2         | 2         | 2         | 2         | 2         | 2                              | 1         |         | 1115509 |
|                                    | Contacteur K3-22ND10 AC1 32A  | 20 kg/h                            |           |           |           | 2         | 2         | 2         | 2         | 2         | 2         | 2         | 2                              | 1         |         | 1115509 |
|                                    | Contacteur K3-22ND10 AC1 32A  | 24...30 kg/h                       |           |           |           | 2         | 2         | 2         | 1         | 1         | 1         | 1         | 1                              | 2         |         | 1115509 |
|                                    | Schütz K3-24 A00 230V AC1 50A   | 8...10 kg/h                        | 1         |           |           |           |           |           |           |           |           |           |                                |           |         | 1115511 |
|                                    | Contacteur K3-24 A00 230V AC1 50A   | 16 kg/h                            |           | 1         | 1         |           |           |           |           |           |           |           |                                |           |         | 1115511 |
|                                    | Contacteur K3-24 A00 230V AC1 50A   | 20 kg/h                            |           |           | 1         |           |           |           |           |           |           |           |                                |           |         | 1115511 |
|                                    |   | 24 kg/h                            |           |           |           | 1         | 1         | 1         |           |           |           |           |                                |           |         | 1115511 |
|                                    |   | 30 kg/h                            |           |           |           | 1         | 1         | 1         | 1         | 1         | 1         | 1         | 1                              | 1         | 1       | 1115511 |
|                                    |   | 40 kg/h                            |           |           |           | 2         | 2         | 2         | 2         | 2         | 2         | 2         | 2                              | 2         | 2       | 1115511 |
|                                    | Schütz K3-40 A00 230V AC1 80A   | 20 kg/h                            |           | 1         |           |           |           |           |           |           |           |           |                                |           |         | 1117502 |
|                                    | Contacteur K3-40 A00 230V AC1 80A   | 24 kg/h                            |           | 1         | 1         |           |           |           |           |           |           |           |                                |           |         | 1117502 |
|                                    | Contacteur K3-40 A00 230V AC1 80A   | 30 kg/h                            |           |           | 1         |           |           |           |           |           |           |           |                                |           |         | 1117502 |
|                                    | 40 kg/h   |                                    |           |           | 1         | 1         | 1         | 1         | 1         | 1         | 1         | 1         | 1                              | 1         | 1117502 |         |
| Schütz K3-50 A00 230V AC1 110A     | 30 kg/h   |                                    | 1         |           |           |           |           |           |           |           |           |           |                                |           | 1117504 |         |
| Contacteur K3-50 A00 230V AC1 110A |   |                                    |           |           |           |           |           |           |           |           |           |           |                                |           |         |         |
| Contacteur K3-50 A00 230V AC1 110A |   |                                    |           |           |           |           |           |           |           |           |           |           |                                |           |         |         |
| 307                                | Steuerplatine mit Touch panel<br>Control board with touch panel<br>Platine de commande avec touch panel | 5...40 kg/h                        | 1         | 1         | 1         | 1         | 1         | 1         | 1         | 1         | 1         | 1         | 1                              | 1         | 1       | 2579906 |
| 308                                | Treiberplatine<br>Driver board<br>Platine driver  | 5...40 kg/h                        | 1         | 1         | 1         | 1         | 1         | 1         | 1         | 1         | 1         | 1         | 1                              | 1         | 1       | 2579907 |
| 309                                | Leistungs-Print   | 5...8 kg/h                         | 1         |           |           |           |           |           |           |           |           |           |                                |           |         | 1116871 |
|                                    | Power board   | 10 kg/h                            | 1         |           |           |           |           |           |           |           |           |           |                                |           |         | 1116872 |
|                                    | Platine de puissance  | 5 kg/h                             |           |           |           | 1         |           |           |           |           |           |           |                                |           |         | 1116873 |
|                                    |   | 8 kg/h                             |           |           |           | 1         |           |           |           |           |           |           |                                |           |         | 1116874 |
|                                    |   | 10 kg/h                            |           |           |           | 1         |           |           |           |           |           |           |                                |           |         | 1116875 |
|                                    |   | 16 kg/h                            |           | 1         | 1         |           |           |           |           |           |           |           |                                |           |         | 1116876 |
|                                    |   | 20 kg/h                            |           |           |           | 1         |           |           |           |           |           |           |                                |           |         | 1116877 |
|                                    |   | 24...30 kg/h                       |           | 1         | 1         |           |           |           |           |           |           |           |                                |           |         | 1116879 |
|                                    | 20 kg/h   |                                    | 1         |           |           |           |           |           |           |           |           |           |                                |           | 1116879 |         |

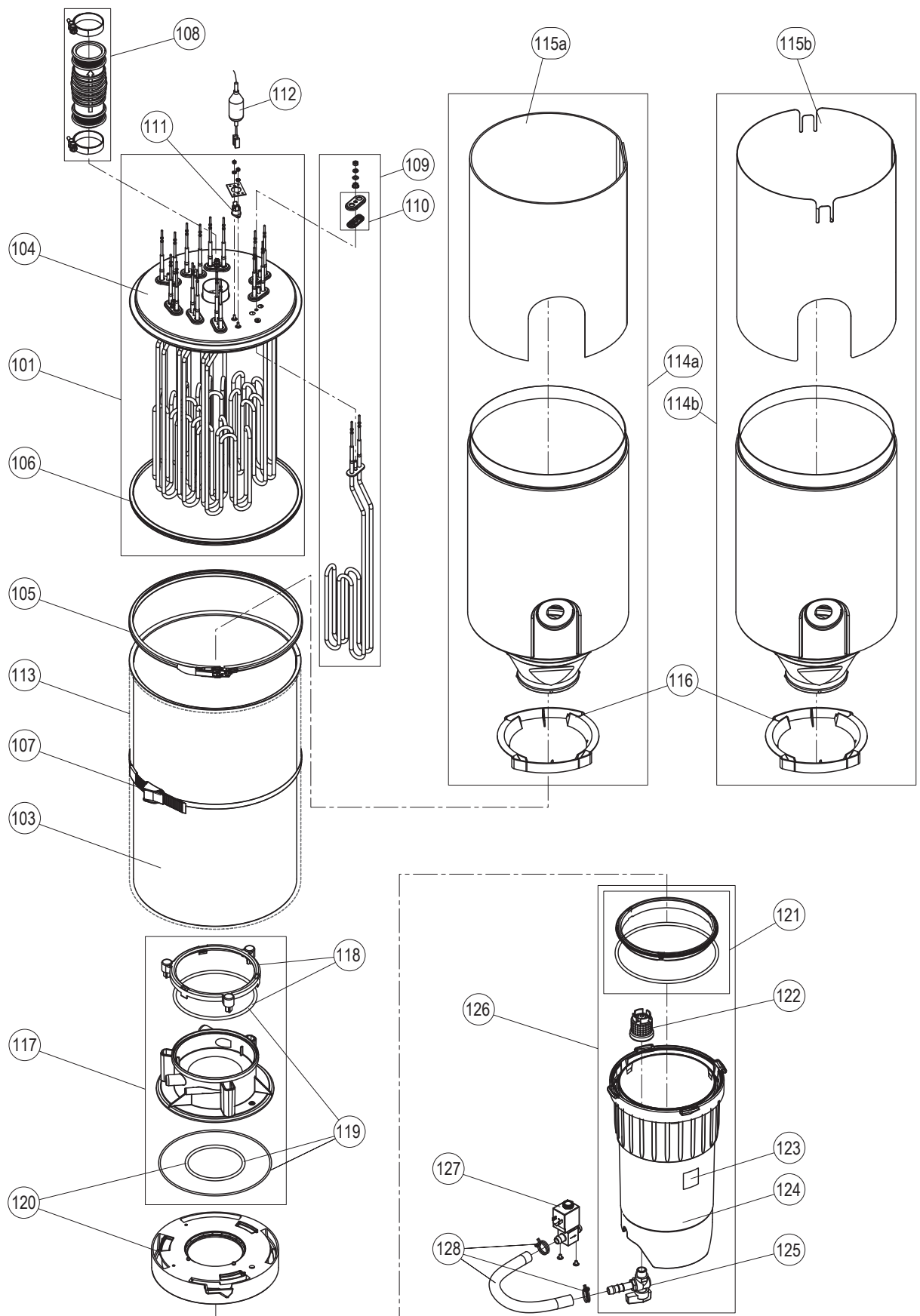
| Pos.  | Artikel<br>Article<br>Article  | Zusatz<br>Completion<br>Complément   | Voltage     |           |           |           |           |           |           |           |           |           | Art.-/SAP-Nr.<br>Art.-/SAP-No.<br>Art.-/SAP-No. |           |   |   |         |         |
|-------|--|--|-------------|-----------|-----------|-----------|-----------|-----------|-----------|-----------|-----------|-----------|---|-----------|---|---|---------|---------|
|       |  |  | 230V / 1~   | 200V / 3~ | 230V / 3~ | 380V / 3~ | 400V / 3~ | 415V / 3~ | 440V / 3~ | 460V / 3~ | 480V / 3~ | 500V / 3~ |   | 600V / 3~ |   |   |         |         |
| 309   | Leistungs-Print  | 5...8 kg/h   |             |           |           | 1         | 1         | 1         |           |           |           |           |   |           |   |   | 1115526 |         |
|       | Power board  | 10...30 kg/h Basic   |             |           |           | 1         | 1         | 1         |           |           |           |           |   |           |   |   | 1115527 |         |
|       | Platine de puissance   | 40 kg/h Basic  |             |           |           | 1         | 1         | 1         |           |           |           |           |   |           |   |   | 1115520 |         |
|       |  | 10 kg/h Option P   |             |           |           | 1         | 1         | 1         |           |           |           |           |   |           |   |   | 1115527 |         |
|       |  | 16...20 kg/h Option P  |             |           |           | 1         | 1         | 1         |           |           |           |           |   |           |   |   | 1115528 |         |
|       |  | 24 kg/h Option P   |             |           |           | 1         | 1         | 1         |           |           |           |           |   |           |   |   | 1115529 |         |
|       |  | 30 kg/h Option P   |             |           |           | 1         | 1         | 1         |           |           |           |           |   |           |   |   | 1115521 |         |
|       |  | 40 kg/h Option P   |             |           |           | 1         | 1         | 1         |           |           |           |           |   |           |   |   | 1115522 |         |
|       |  | 10...40 kg/h Basic   |             |           |           |           |           |           |           | 1         | 1         | 1         | 1   |           |   |   |         | 2579908 |
|       | 312  | Betriebs- und Störungsfernmeldung<br>Remote operation and fault indication<br>Télésignalisation de travail et de dérangement | 5...40 kg/h | 1         | 1         | 1         | 1         | 1         | 1         | 1         | 1         | 1         | 1   | 1         | 1 | 1 | 1       | 2529378 |
| 320 * | Türe Wasserseite   | 5...10 kg/h  | 1           |           | 1         | 1         | 1         | 1         | 1         | 1         | 1         | 1         | 1   | 1         | 1 | 1 | 2579910 |         |
|       | Door water side  | 16...40 kg/h   |             | 1         | 1         | 1         | 1         | 1         | 1         | 1         | 1         | 1         | 1   | 1         | 1 | 1 | 2579911 |         |
|       | Porte côté eau   |  |             |           |           |           |           |           |           |           |           |           |   |           |   |   |         |         |
| 321 * | Türe Elektronikseite   | 5...10 kg/h  | 1           |           | 1         | 1         | 1         | 1         | 1         | 1         | 1         | 1         | 1   | 1         | 1 | 1 | 2579912 |         |
|       | Door electronic side   | 16...40 kg/h   |             | 1         | 1         | 1         | 1         | 1         | 1         | 1         | 1         | 1         | 1   | 1         | 1 | 1 | 2579913 |         |
|       | Porte côté électronique  |  |             |           |           |           |           |           |           |           |           |           |   |           |   |   |         |         |
|       | Türe Elektronikseite ohne Displayausschnitt<br>Door electronic side without display cutout<br>Porte côté électronique sans découpe affichage | 20...40 kg/h   |             | 1         | 1         | 1         | 1         | 1         | 1         | 1         | 1         | 1         | 1   | 1         | 1 | 1 | 2579914 |         |
| 322   | Bedienungspanel  | 5...10 kg/h  | 1           |           | 1         | 1         | 1         | 1         | 1         | 1         | 1         | 1         | 1   | 1         | 1 | 1 | 2579915 |         |
|       | Front panel  | 16...40 kg/h   |             | 1         | 1         | 1         | 1         | 1         | 1         | 1         | 1         | 1         | 1   | 1         | 1 | 1 | 2579916 |         |
|       | Tableau frontal  |  |             |           |           |           |           |           |           |           |           |           |   |           |   |   |         |         |
| 323   | Erdungsklemme 16mm <sup>2</sup>  |  | 1           | 1         | 1         | 1         | 1         | 1         | 1         | 1         | 1         | 1         | 1   | 1         | 1 | 1 | 2559586 |         |
|       | Ground terminal 16mm <sup>2</sup>  |  |             |           |           |           |           |           |           |           |           |           |   |           |   |   |         |         |
|       | Borne de terre 16mm <sup>2</sup>   |  |             |           |           |           |           |           |           |           |           |           |   |           |   |   |         |         |
| 324   | Kabelbaum DZ   | 5...10 kg/h  | 1           |           | 1         |           |           |           |           |           |           |           |   |           |   |   | 2579917 |         |
|       | Cable harness  | 16 - 20 kg/h   |             | 1         | 1         |           |           |           |           |           |           |           |   |           |   |   | 2579919 |         |
|       | Faisceau de câbles   | 24 - 30 kg/h   |             | 1         | 1         |           |           |           |           |           |           |           |   |           |   |   | 2579921 |         |
|       |  | 5...10 kg/h  |             |           |           | 1         | 1         | 1         | 1         | 1         | 1         | 1         | 1   | 1         | 1 | 1 | 2579918 |         |
|       |  | 16 kg/h  |             |           |           | 1         | 1         | 1         | 1         | 1         | 1         | 1         | 1   | 1         | 1 | 1 | 2579920 |         |
|       |  | 16 kg/h  |             |           |           |           |           |           |           |           |           |           |   |           |   | 1 | 2579918 |         |
|       |  | 20 kg/h  |             |           |           | 1         | 1         | 1         |           |           |           |           |   |           |   | 1 | 2579920 |         |
|       |  | 20 kg/h  |             |           |           |           |           |           |           | 1         | 1         | 1         | 1   |           |   |   | 2579922 |         |
|       |  | 24 kg/h  |             |           |           | 1         | 1         | 1         |           |           |           |           |   |           |   |   | 2579922 |         |
|       |  | 30 kg/h  |             |           |           | 1         | 1         | 1         |           |           |           |           |   |           |   | 1 | 2579922 |         |
|       |  | 30 kg/h  |             |           |           |           |           |           |           | 1         | 1         | 1         | 1   |           |   |   | 2579920 |         |
|       |  | 40 kg/h Basic  |             |           |           |           |           |           |           | 1         | 1         | 1         | 1   | 1         | 1 | 1 | 2579922 |         |
|       |  | 40 kg/h Basic  |             |           |           | 1         | 1         | 1         |           |           |           |           |   |           |   |   | 2579923 |         |
|       |  | 16...20 kg/h Option P  |             |           |           | 1         | 1         | 1         |           |           |           |           |   |           |   |   | 2586439 |         |
|       |  | 24...30 kg/h Option P  |             |           |           | 1         | 1         | 1         |           |           |           |           |   |           |   |   | 2586440 |         |
|       |  | 40 kg/h Option P   |             |           |           | 1         | 1         | 1         |           |           |           |           |   |           |   |   | 2586443 |         |

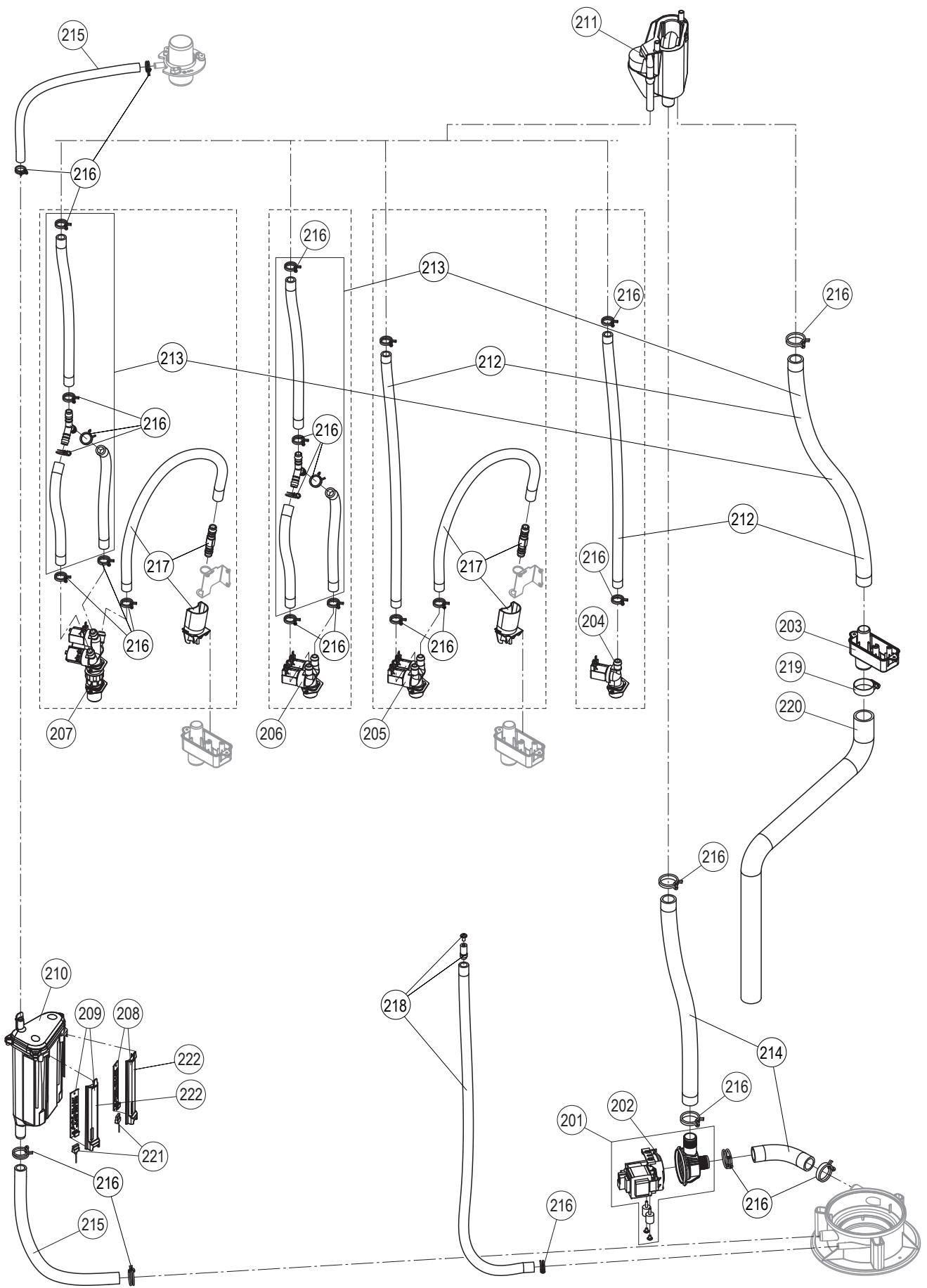
\* Lieferfrist ca. 6 Wochen / Delivery time approx. 6 / Délai de livraison approx. 6 semaines weeks

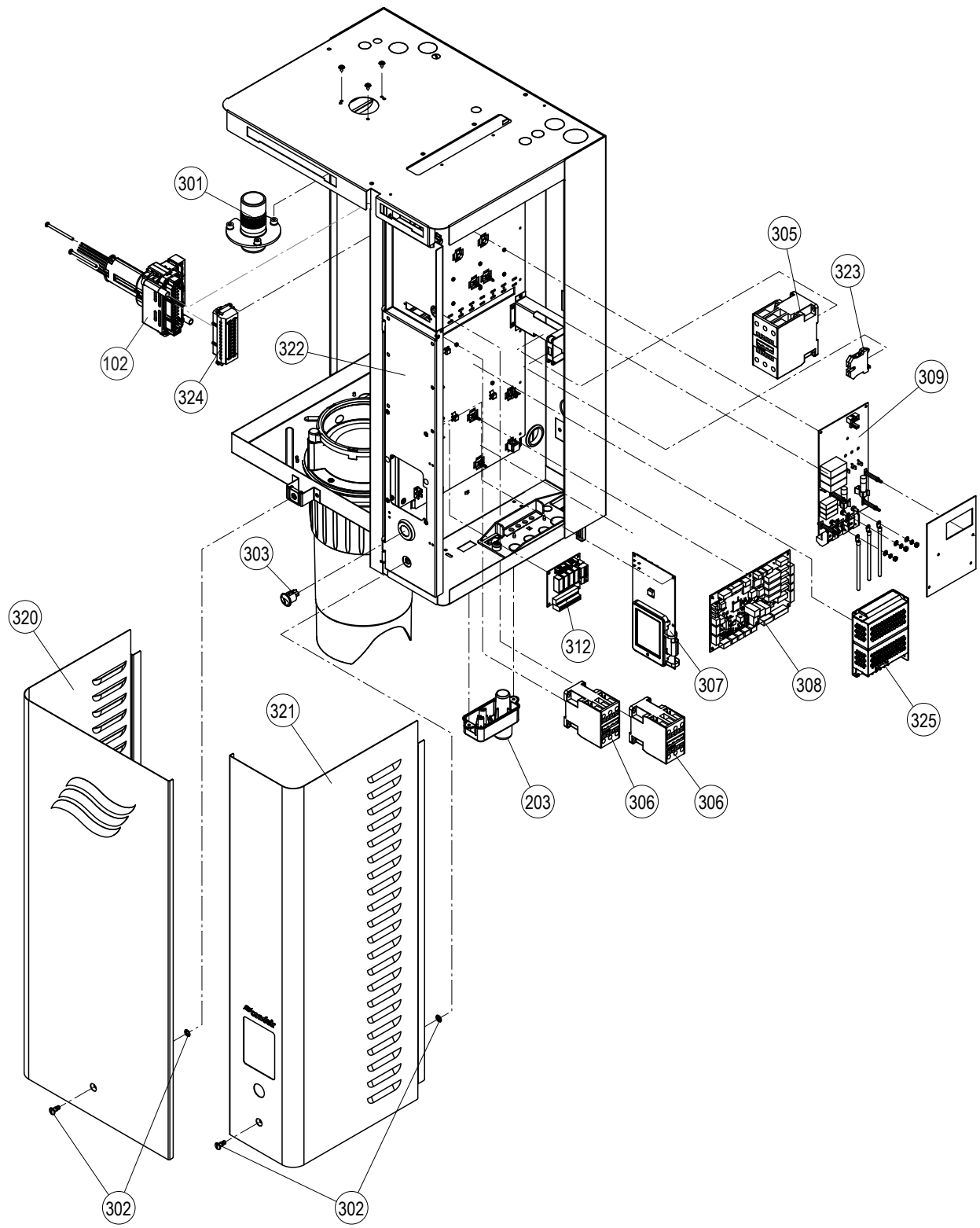


| Pos. | Artikel<br>Article<br>Article   | Zusatz<br>Completion<br>Complément                   | Voltage   |           |           |           |           |           |           |           |           |           | Art.-/SAP-Nr.<br>Art.-/SAP-No.<br>Art.-/SAP-No. |           |   |         |
|------|---|--|-----------|-----------|-----------|-----------|-----------|-----------|-----------|-----------|-----------|-----------|---|-----------|---|---------|
|      |   |  | 230V / 1~ | 200V / 3~ | 230V / 3~ | 380V / 3~ | 400V / 3~ | 415V / 3~ | 440V / 3~ | 460V / 3~ | 480V / 3~ | 500V / 3~ |   | 600V / 3~ |   |         |
| 324  | Kabelbaum DZ für Modul B, Gehäuse "L"   | 24-30 kg/h   |           |           |           | 1         | 1         | 1         |           |           |           |           |   |           |   | 2586441 |
|      | Cable harness for module B, "L" housing   | 40 kg/h  |           |           |           | 1         | 1         | 1         |           |           |           |           |   |           |   | 2586442 |
|      | Faisceau de câbles pour module B, taille d'app. "L"   |  |           |           |           |           |           |           |           |           |           |           |   |           |   |         |
| 325  | Netzteil<br>Power supply<br>Source de courant   | 5...40 kg/h  | 1         | 1         | 1         | 1         | 1         | 1         | 1         | 1         | 1         | 1         | 1   | 1         | 1 | 2579924 |
| —    | Set Interne Kabel<br>Set internal cable<br>Set câble intérieurement   | 5...40 kg/h  | 1         | 1         | 1         | 1         | 1         | 1         | 1         | 1         | 1         | 1         | 1   | 1         | 1 | 2579909 |
| —    | Verbindungskabelset<br>Connection cable set<br>Set câble de connection  | 1.5 m - 40...80 kg/h                                 |           | 1         | 1         | 1         | 1         | 1         | 1         | 1         | 1         | 1         | 1   | 1         | 1 | 2579894 |
|      |   | 6.0 m - 40...80 kg/h                                 |           | 1         | 1         | 1         | 1         | 1         | 1         | 1         | 1         | 1         | 1   | 1         | 1 | 1       |
| —    | Querstromlüfter<br>Ventilator<br>Ventilateur  | 40 kg/h Option P, J24 kg/h & J30 kg/h                |           |           |           | 1         | 1         | 1         |           |           |           |           |   |           |   | 1115531 |
| —    | Kabel Leistungsprint -> Steuerplatine<br>Cable power board -> control board<br>Câble platine de puissance -> platine de cmde. | 5...40 kg/h  | 1         | 1         | 1         | 1         | 1         | 1         | 1         | 1         | 1         | 1         | 1   | 1         | 1 | 2579925 |
| —    | Kabel Driverboard -> Ventil<br>Cable Driverboard -> valve<br>Câble Driverboard -> vanne                                       | 5...40 kg/h  | 1         | 1         | 1         | 1         | 1         | 1         | 1         | 1         | 1         | 1         | 1   | 1         | 1 | 2579926 |
| —    | Linkupkabel<br>Linkup cable<br>Câble linkup   | 2.6 m - 100...160 kg/h                               |           |           |           | 1         | 1         | 1         |           |           |           |           |   |           |   | 2584154 |
|      |   | 6.0 m - 100...160 kg/h                               |           |           |           | 1         | 1         | 1         |           |           |           |           |   |           |   | 2584155 |
| —    | Sicherungsset<br>Fuses set<br>Set fusibles  | 5...8 kg/h (1x6.3AT/1AF/50mAF/<br>200mAF, 2x16ASF)   | 1         | 1         | 1         | 1         | 1         | 1         | 1         | 1         | 1         | 1         | 1   | 1         | 1 | 1115505 |
|      |   | 10...40 kg/h (1x6.3AT/1AF/<br>50mAF/200mAF, 2x20ASF) | 1         | 1         | 1         | 1         | 1         | 1         | 1         | 1         | 1         | 1         | 1   | 1         | 1 | 1       |

| Pos.  | Artikel<br>Article   | Zusatz<br>Completion<br>Complément | Voltage   |           |           |           |           |           |           |           |           |           | Art.-/SAP-Nr.<br>Art.-/SAP-No. |           |
|---|--|------------------------------------|-----------|-----------|-----------|-----------|-----------|-----------|-----------|-----------|-----------|-----------|--------------------------------|-----------|
|   |  |                                    | 230V / 1~ | 200V / 3~ | 230V / 3~ | 380V / 3~ | 400V / 3~ | 415V / 3~ | 440V / 3~ | 460V / 3~ | 480V / 3~ | 500V / 3~ |                                | 600V / 3~ |
| <b>Wartungskits / Maintenance kits / Kit de maintenance</b> |  |                                    |           |           |           |           |           |           |           |           |           |           |                                |           |
|   | <b>Wartungskit kleiner Service<br/>Maintenance small service<br/>Entretien petite services</b>             | 5...40 kg/h                        | 1         | 1         | 1         | 1         | 1         | 1         | 1         | 1         | 1         | 1         | 1                              | 2599192   |
|   | enthält / contains / contient:   |                                    |           |           |           |           |           |           |           |           |           |           |                                |           |
| 121   | Dichtungsset Kalkauffangbehälter<br>Sealing set lime collector tank<br>Set de joint collecteur de calcaire |                                    |           |           |           |           |           |           |           |           |           |           |                                |           |
| 122   | Ablaufsieb<br>Drain strainer<br>Tamis d'écoulement   |                                    |           |           |           |           |           |           |           |           |           |           |                                |           |
|   | <b>Wartungskit grosser Service<br/>Maintenance large service<br/>Entretien grand service</b>               | 5...10 kg/h<br>16...40 kg/h        | 1         | 1         | 1         | 1         | 1         | 1         | 1         | 1         | 1         | 1         | 1                              | 2599175   |
|   | enthält / contains / contient:   |                                    |           |           |           |           |           |           |           |           |           |           |                                |           |
| 106   | Durodichtung<br>Gasket Duro<br>Joint Duro  |                                    |           |           |           |           |           |           |           |           |           |           |                                |           |
| 210   | Schwimmer kpl.<br>Float cpl.<br>Flotteur cpl.  |                                    |           |           |           |           |           |           |           |           |           |           |                                |           |
| 108   | Ausblasstutzen kpl.<br>Steam outlet hose cpl.<br>Manchon de vaporisation cpl.                              |                                    |           |           |           |           |           |           |           |           |           |           |                                |           |
| 110   | Dichtung & Gegenflansch (9 Stk.)<br>Gasket & counter flange (9 pcs)<br>Joint & contre bride (9 pcs)        |                                    |           |           |           |           |           |           |           |           |           |           |                                |           |
| 114a  | Zylindereinsatz mit Gitter<br>Cylinder insert with grid<br>Insert du cuve avec grille                      |                                    |           |           |           |           |           |           |           |           |           |           |                                |           |
| 117   | Kupplungsmuffe kpl.<br>Coupling sleeve cpl.<br>Manchon d'accouplement cpl.                                 |                                    |           |           |           |           |           |           |           |           |           |           |                                |           |
| 120   | Haltering (inkl. Dichtung)<br>Connection ring (incl. gasket)<br>Bague de connexion (incl. joint)           |                                    |           |           |           |           |           |           |           |           |           |           |                                |           |
| 121   | Dichtungsset Kalkauffangbehälter<br>Sealing set lime collector tank<br>Set de joint collecteur de calcaire |                                    |           |           |           |           |           |           |           |           |           |           |                                |           |
| 111   | Übertemperaturschalter kpl.<br>Thermostat cpl.<br>Thermostat cpl.  |                                    |           |           |           |           |           |           |           |           |           |           |                                |           |
| 123   | Aufkleber Temperaturanzeige<br>Sticker temperature<br>Température de Autocollants                          |                                    |           |           |           |           |           |           |           |           |           |           |                                |           |











BERATUNG, VERKAUF UND SERVICE:



CH94/0002.00

Condair Group AG  
Gwattstrasse 17, 8808 Pfäffikon SZ, Switzerland  
Phone +41 55 416 61 11, Fax +41 55 588 00 07  
info@condair.com, www.condair-group.com

 **condair**